



Niche
Pre-Formed Ready for Tiling



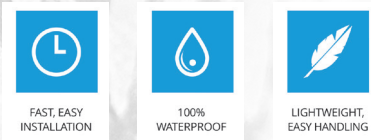
Key Benefits

- Stylish & convenient
- Easy to install
- Ideal for wet areas
- Many sizes available

The NEW Marmox Niche, with an adjustable shelf, is an ideal time saver for shower areas or any other walls where a recess is a desired feature.

This new size niche is 800 x 400mm with a shelf that can be slid into the desired position before being fixed through the side with Marmox Corkscrew Fixings (included in box) and then tiled. Various other sizes are also available.

Made using Marmox Multiboard, which is an extruded polystyrene, coated with a polymer cement mortar and fibreglass mesh.

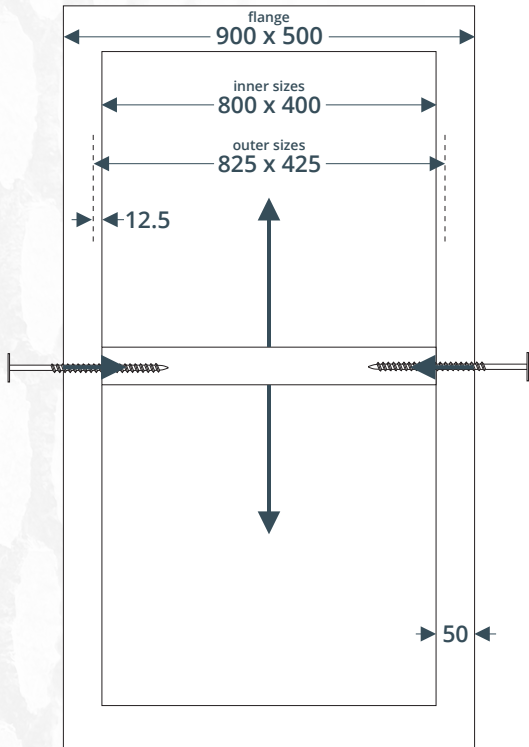


Facts & Figures

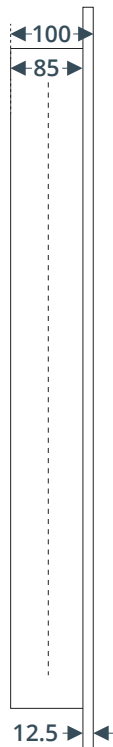
Description	Size (mm)			Weight (kg)
	Thickness	Width	Length	
Niche	12.5	400	200	1.5
			300	2.0
			400	2.5
			500	3.0
			800	5.0
Corkscrew	-	41	108	-

Specification (800 x 400 with shelf)

Front view



Side view



Instructions

1. Slide the shelf into the desired position.
2. Use a pencil and mark a straight line to indicate the final shelf position.
3. Using the 'Marmox Corkscrew Fixings', screw through the sides of the niche in the areas that are in line with the shelf (*this should be somewhere along the dotted line shown on the drawing*).
4. Make sure the 'Marmox Corkscrew Fixing' is screwed fully into the shelf but do not overtighten.
5. For a watertight seal, use 'Marmox MSP360 Premium Adhesive & Sealant' or 'Marmox Waterproofing Tape'.
6. Position the niche into the desired area, between the studwork (*at 800 centres*).
7. Use a minimum of a 50mm screw and large washer in all of the corners.

Other Niche Options (mm)



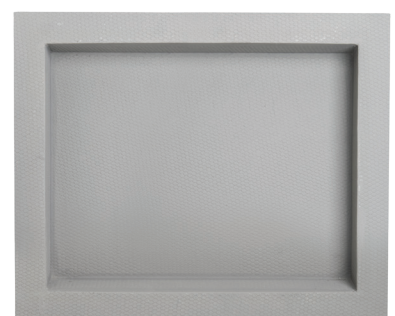
400 x 200



400 x 300



400 x 400



400 x 500

Note: All other dimensions are the same as the above 800 x 400 diagram. These sizes do not have a shelf.

Marmox UK Ltd

Caxton House,
 101-103 Hopewell Drive,
 Chatham, Kent. ME5 7NP
 United Kingdom

For information and advice:

Tel: 01634 835290
 Email: sales@marmox.co.uk
 Web: www.marmox.co.uk